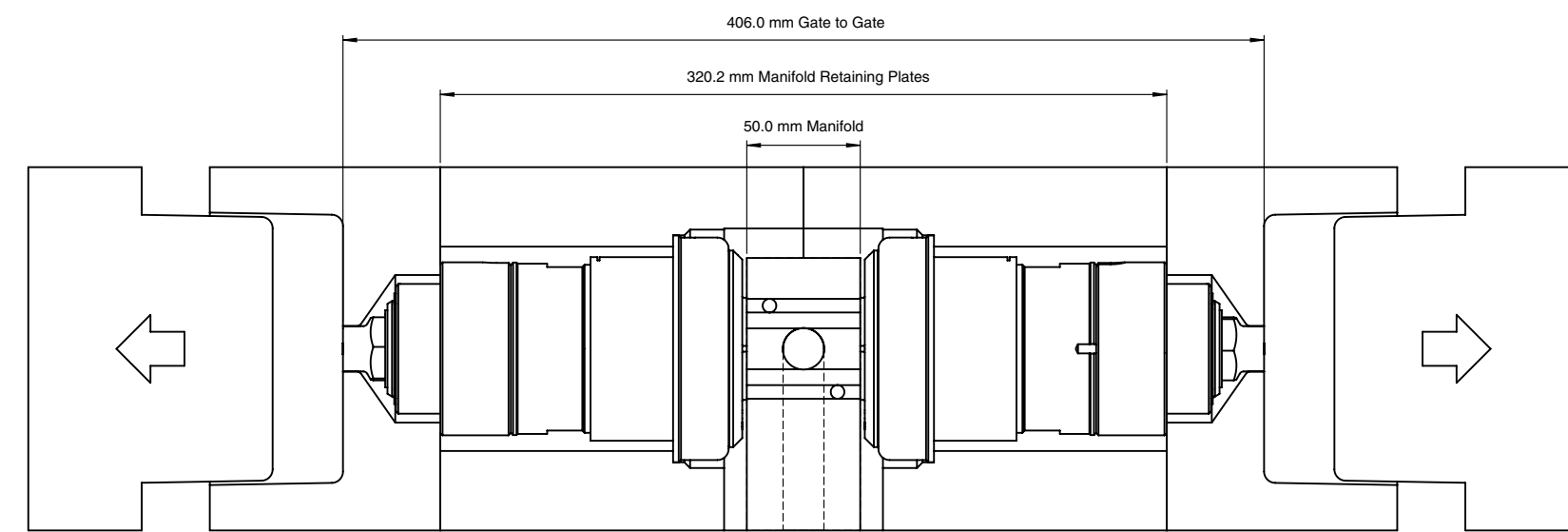




iVG™ Internal Valve Gate - Nozzle Sizes Overview

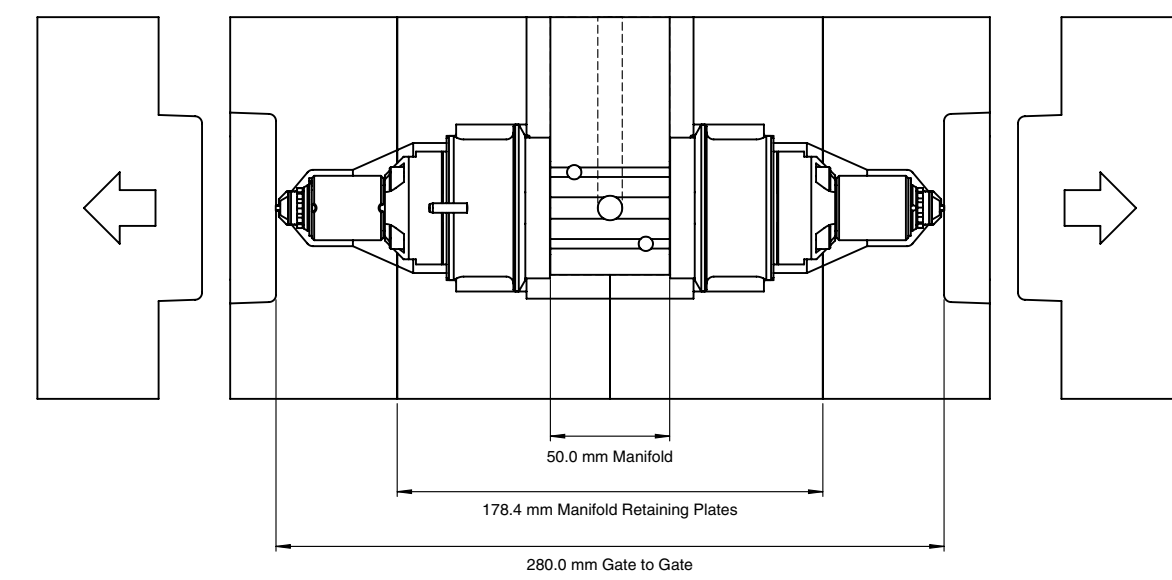
Back-to-Back Configuration for Stack Molds and Tandem Molds

iVG30-N12
iVG30-N16
iVG30-N20

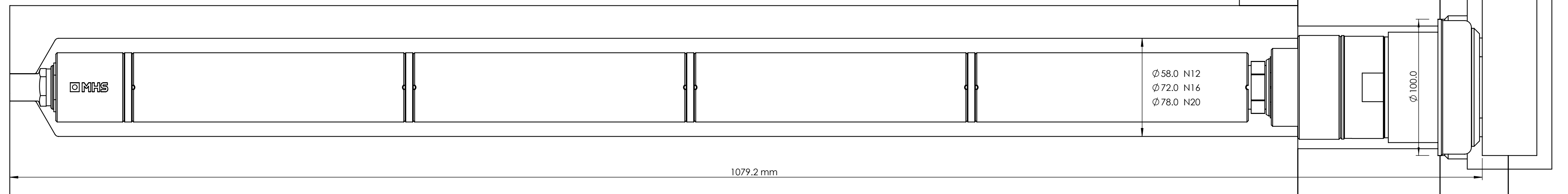


Actuator air and melt delivery supplied directly through manifold (air can also be supplied through side of nozzle). Piston located inside nozzle body. No cooling required.

iVG23-N10

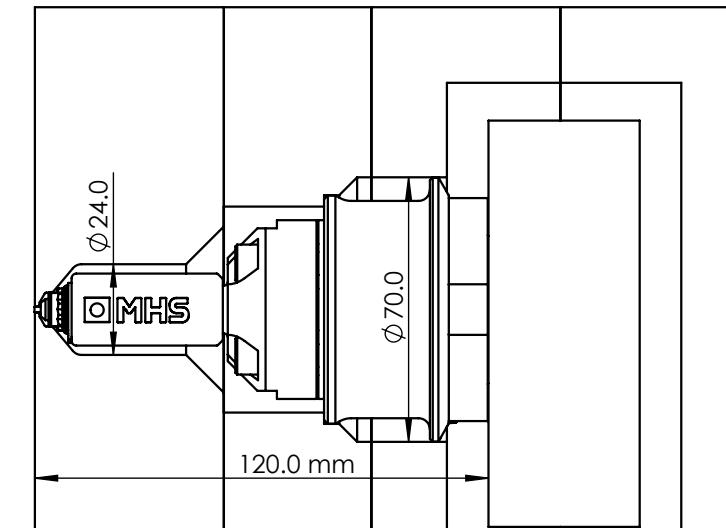


Max. Length



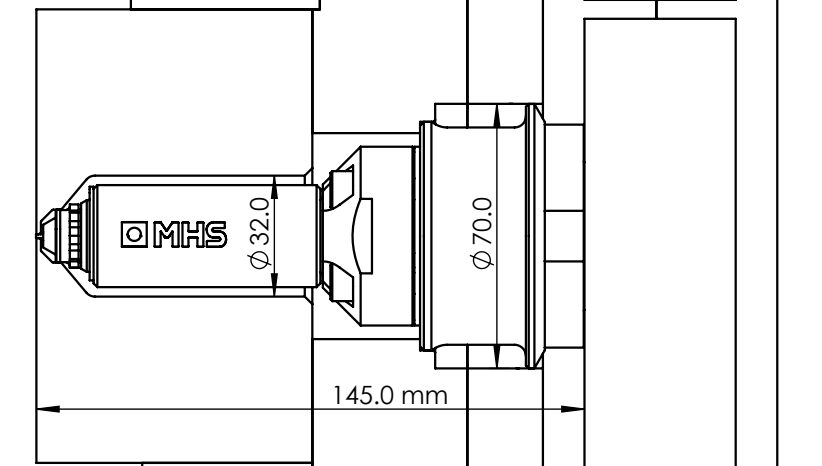
Scale 1:2

Max. Length



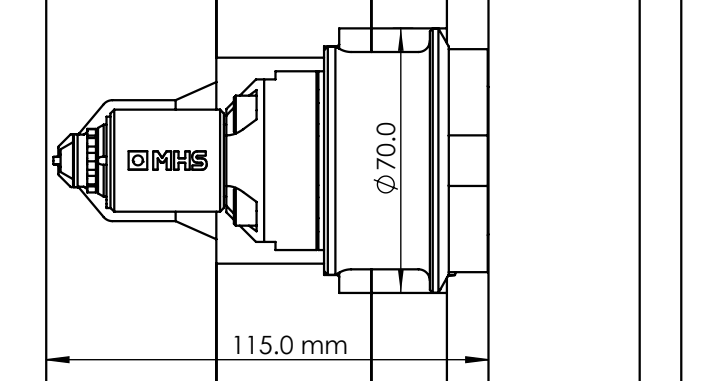
iVG23-N06

Standard Length

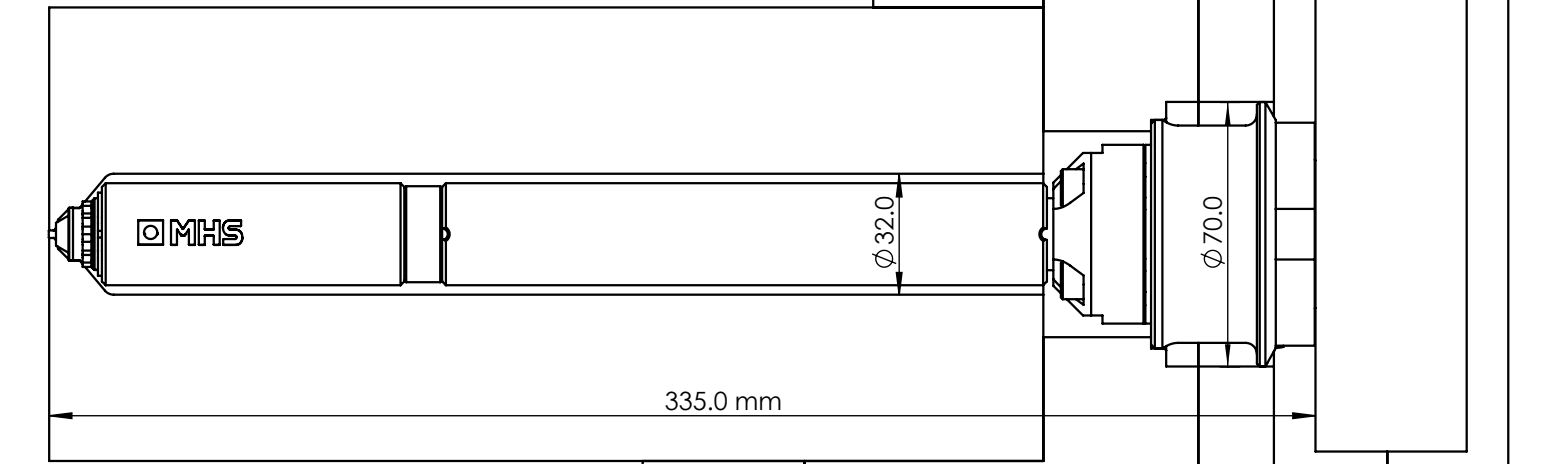


iVG23-N10

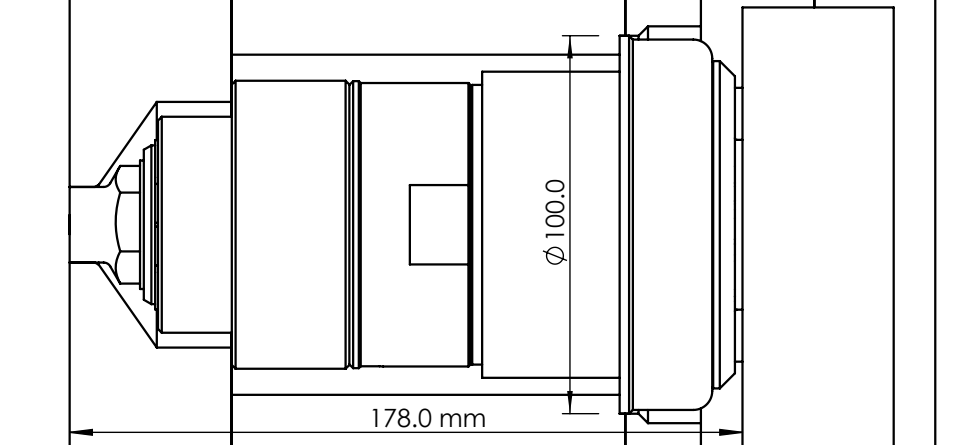
Min. Length



Max. Length



Min. Length



iVG30-N12

iVG30-N16

iVG30-N20